

## INSTALLATION INSTRUCTIONS VP 710P5 SERIES ACCESSORY DECKS



VP 710P5X with the VP 710P5-1 Mica Deck installed

### **WARNING!!!!**

- Be advised that the Magnetic Tumble Stirrer has very strong magnetic fields coming from a very strong Neodymium Iron Boron drive magnet.
- **People with pacemakers should not get closer than 24 inches.**
- Remove all magnetic influenced tools and objects from the immediate area to prevent them from being pulled onto the magnet or from striking anyone as the objects are pulled towards the magnet.
- Keep credit cards, watches and other magnetic sensitive items at least 24 inches from the Magnetic Tumble Stirrer's magnetic fields.

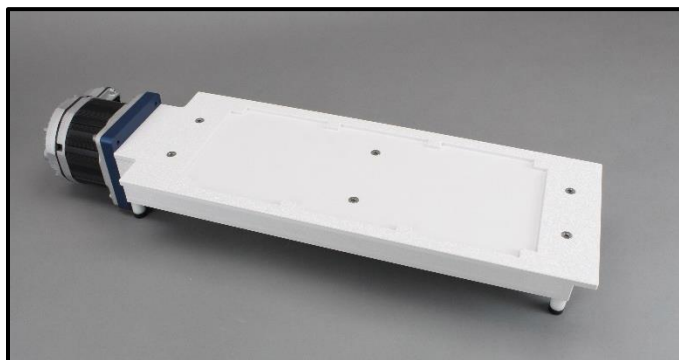
## ACCESSORY DECK OPTIONS

<b>VP 710P5-1</b>	STIRRER ACCESSORY, Mica Deck for VP 710P5 Series Tumble Stirrers, Two-Position, Portrait, Accommodates Two Position VP 742A Heat Block or VP 744B-MB2-LT-70 Heat/Chill Block
<b>VP 710P5-2A</b>	STIRRER ACCESSORY, Mica Deck for VP 710P5 Series Tumble Stirrers, Two-Position with Insulation Between Positions, for Single Position Heating or Cooling Blocks

## ACCESSORY DECK INSTALLATION

**Caution: Make sure the Magnetic Tumble Stirrer is off and the power is disconnected while installing the Accessory Deck.**

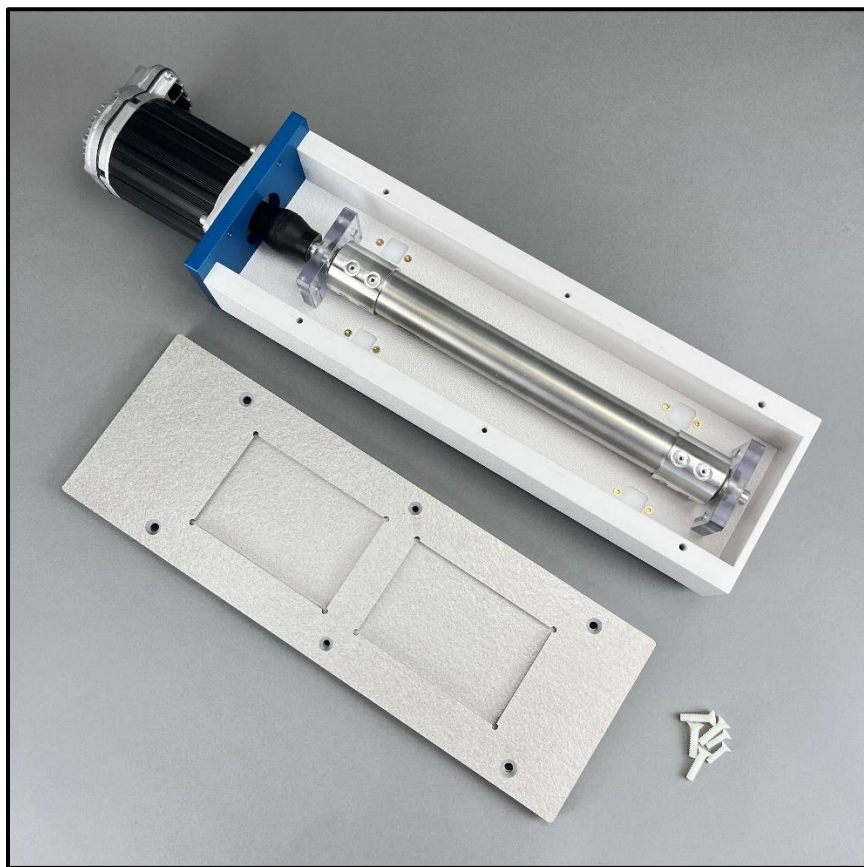
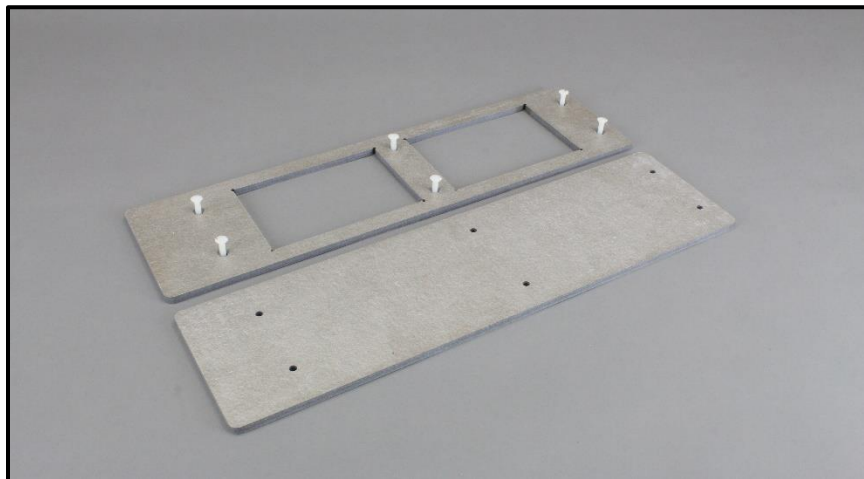
1. Remove all screws 6 screws from existing 3-position deck on the Tumble Stirrer.



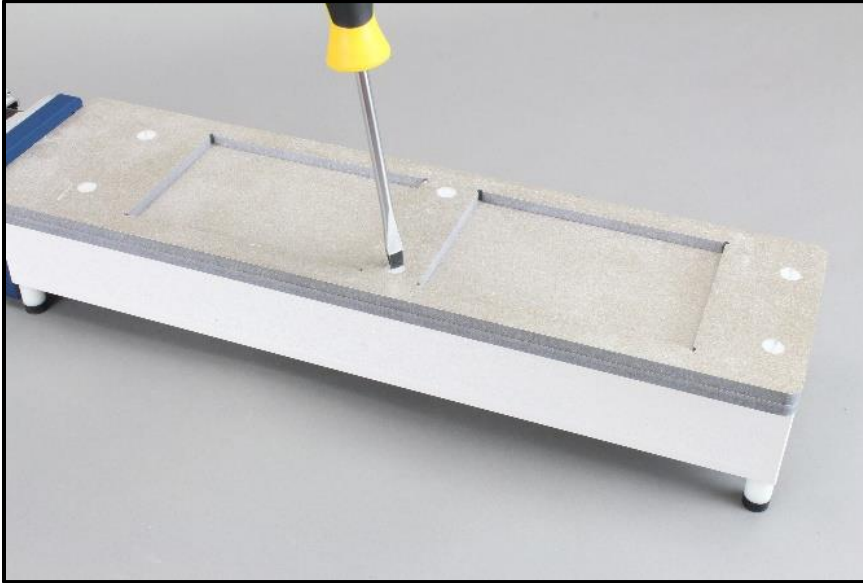
1. Remove white 3-position deck from the VP 710P5X stirrer. Be careful as the magnetic cylinder is now exposed.



- Place Accessory Deck on top of the stirrer where the previous deck was. Please note that the end with the larger spacing of holes from the end is placed closest to the motor of the stirrer. Be aware that some of the accessory decks are two pieces that must be stacked for attachment, such as the one below.



3. Screw in all 6 plastic screws into and through the Accessory Deck to secure to the Tumble Stirrer.



#### **WARNING**

To avoid personnel injury caused by electrical shock, do not remove the cover of the unit when the power is ON or unit is connected to a power source.

#### **WARRANTY**

V&P Scientific, Inc. warrants this product to be free from defects in material and workmanship when used under normal laboratory conditions for one year. This warranty begins on the date of delivery from V&P Scientific.

In the event this product fails under normal laboratory conditions within the specified period of time because of a defect in material or workmanship, V&P Scientific will, at its option, repair or replace the product. Damage to the product caused by user negligence is not covered.

This warranty is made in lieu of other warranties expressed or implied including the warranties of merchantability and fitness for a particular purpose. V&P Scientific shall not be liable for loss or damages arising from the use of these products nor for consequential damages of any kind.

#### **TECHNICAL ASSISTANCE**

Please keep the special shipping carton in case the unit needs to be shipped back to V&P Scientific. Please contact V&P Scientific for return authorization and shipping instructions.

If technical assistance is required, contact V&P Scientific, Inc. at 858-455-0643 or [sales@vp-sci.com](mailto:sales@vp-sci.com).