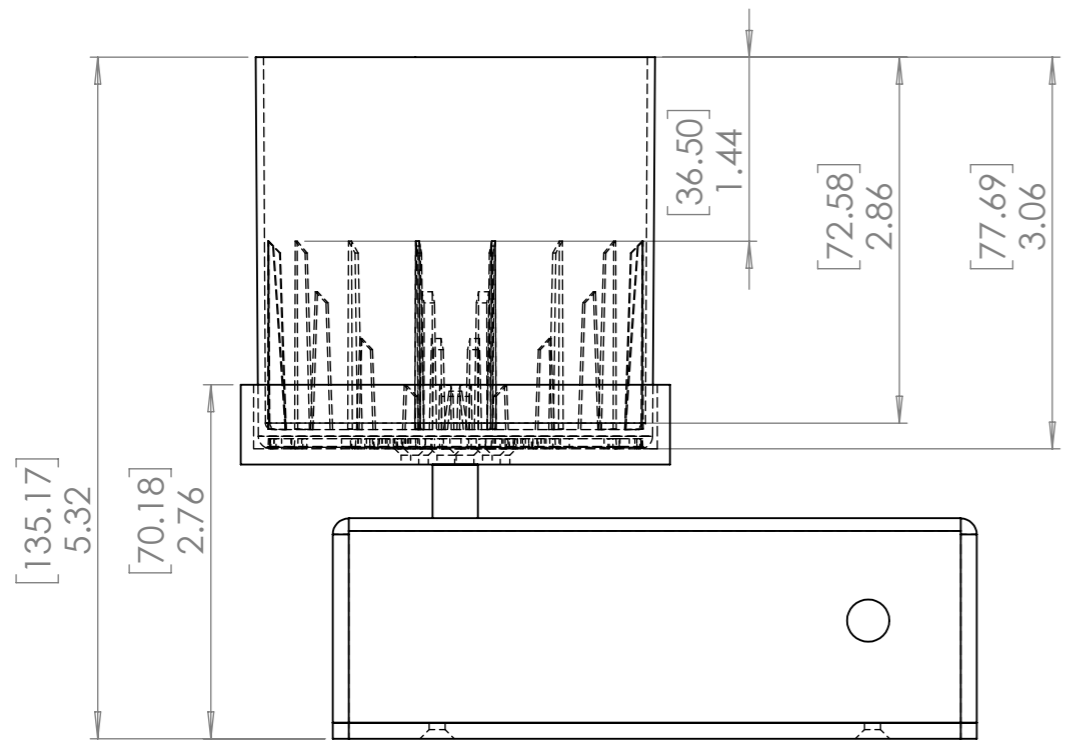
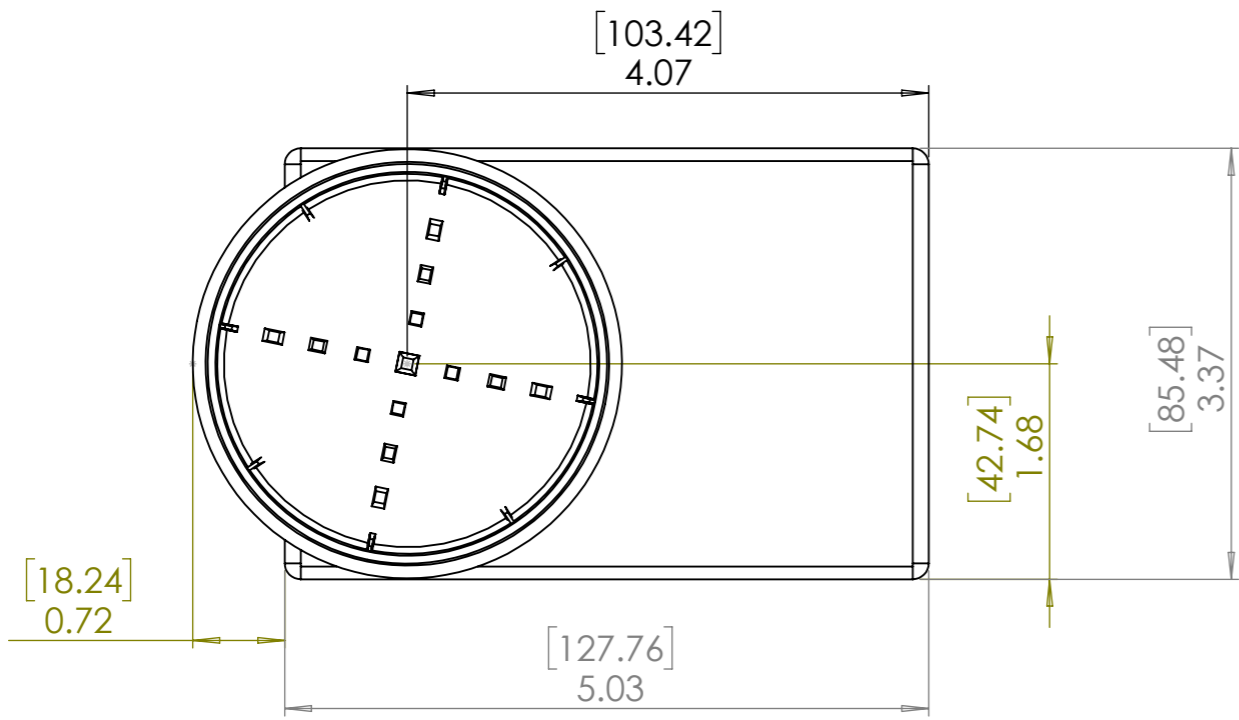
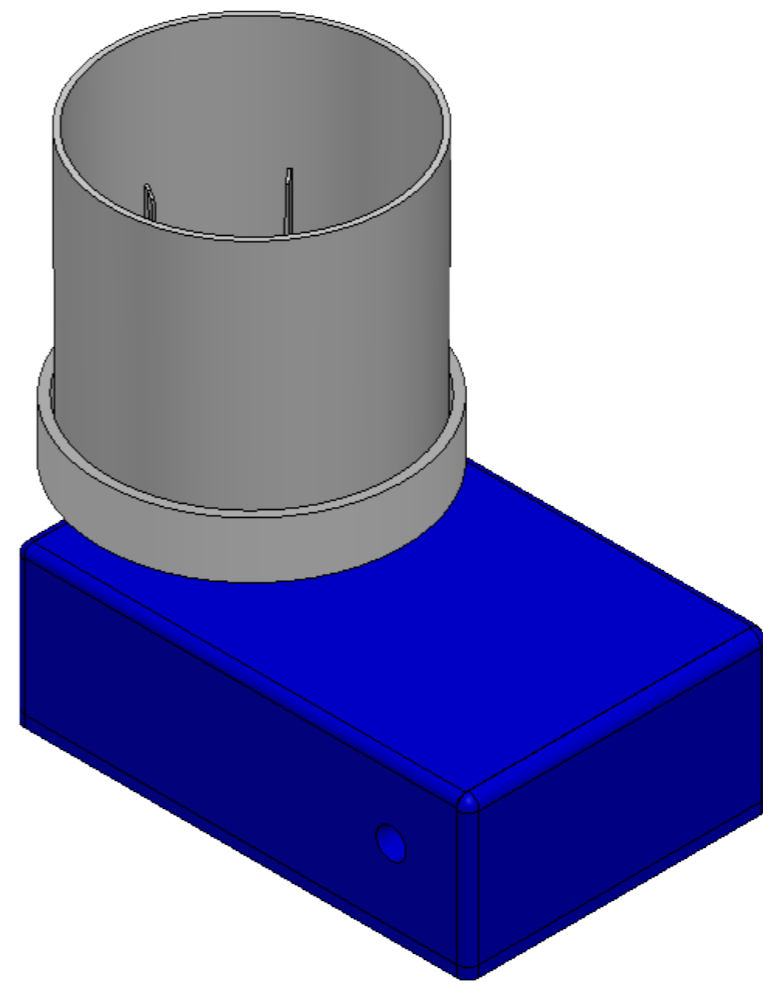


8 7 6 5 4 3 2 1

F  
E  
D  
C  
B  
A



NOTE: ADD 3MM IN HEIGHT IF USED WITH RUBBER FEET



PROPRIETARY AND CONFIDENTIAL: THE INFORMATION CONTAINED IN THIS DRAWING IS THE SOLE PROPERTY OF V&P SCIENTIFIC, INC. ANY REPRODUCTION IN PART OR AS A WHOLE WITHOUT THE WRITTEN PERMISSION OF V&P SCIENTIFIC, INC. IS PROHIBITED.				DO NOT SCALE DRAWING		REVISION	
				<b>V&amp;P SCIENTIFIC, INC.</b>			
DRAWN				NAME		TITLE:	
				AL		VP 418SV1-1-300FB_WEB	
CHK'D				SIGNATURE		DWG NO.	
APPV'D						738	
MFG				DATE		SCALE:1:1.5	
				10/06/2020		SHEET 1 OF 1	
Q.A				MATERIAL:			
				FINISH:			

8 7 6 5 4 3 2 1